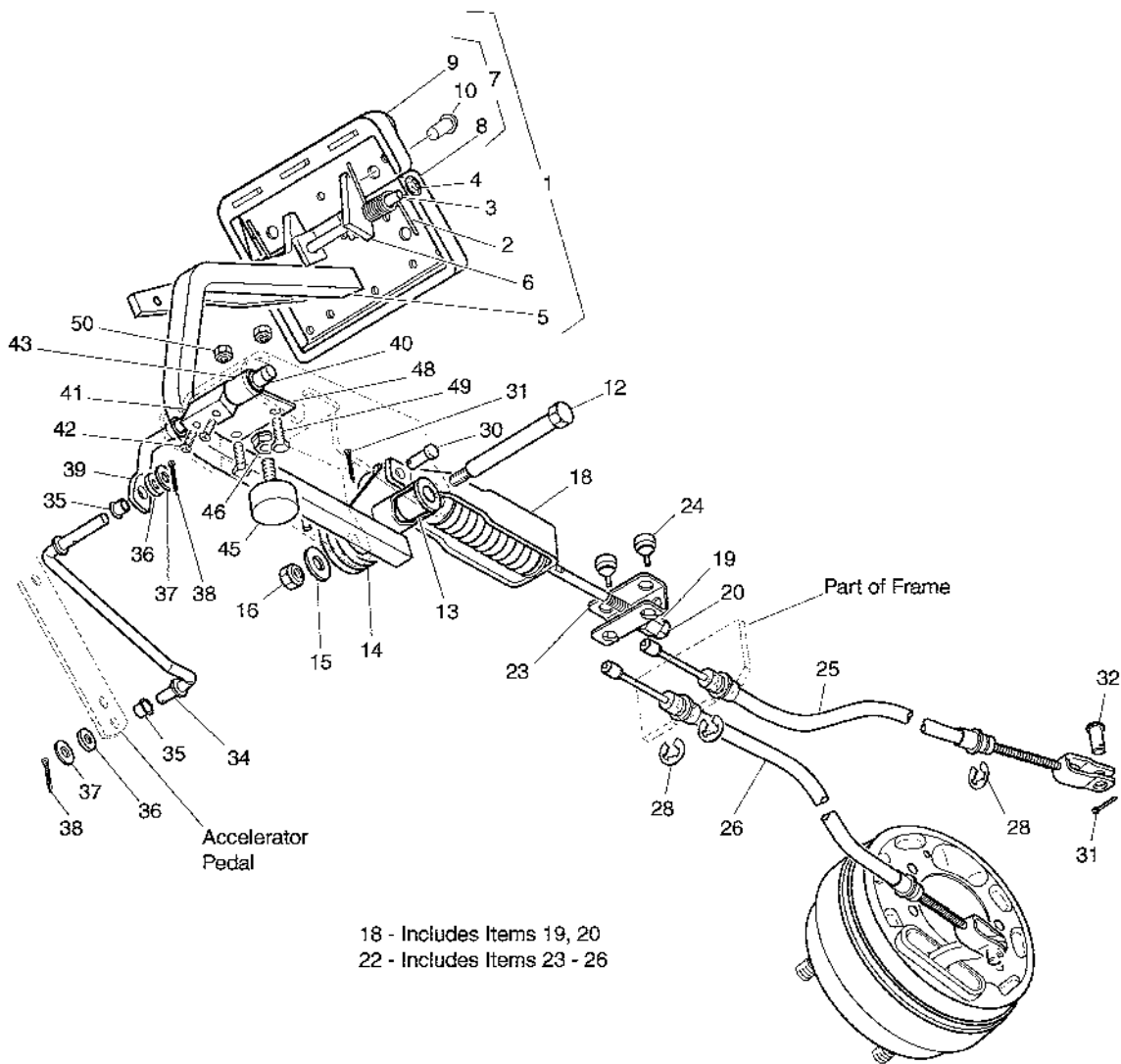
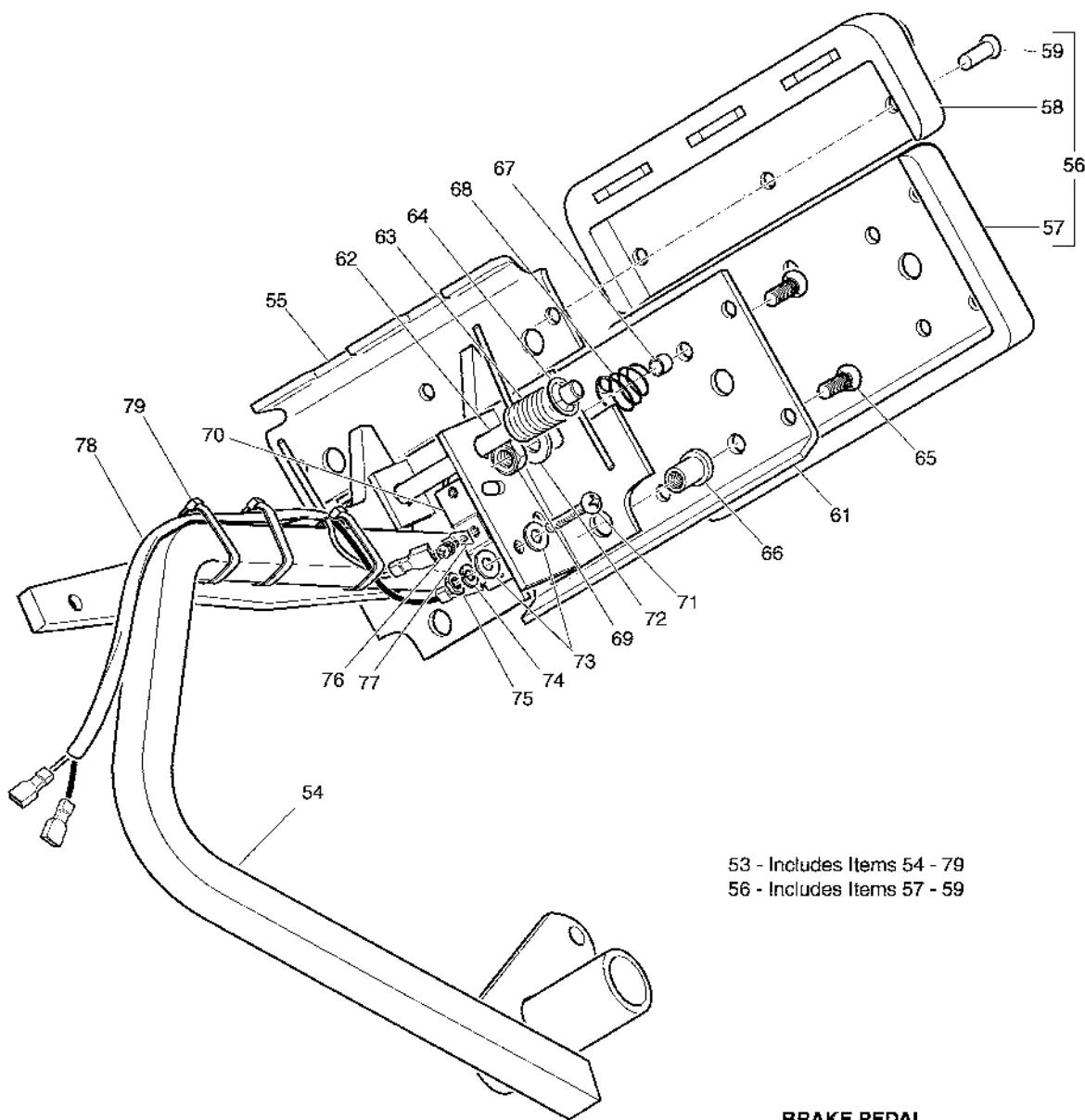


BRAKES

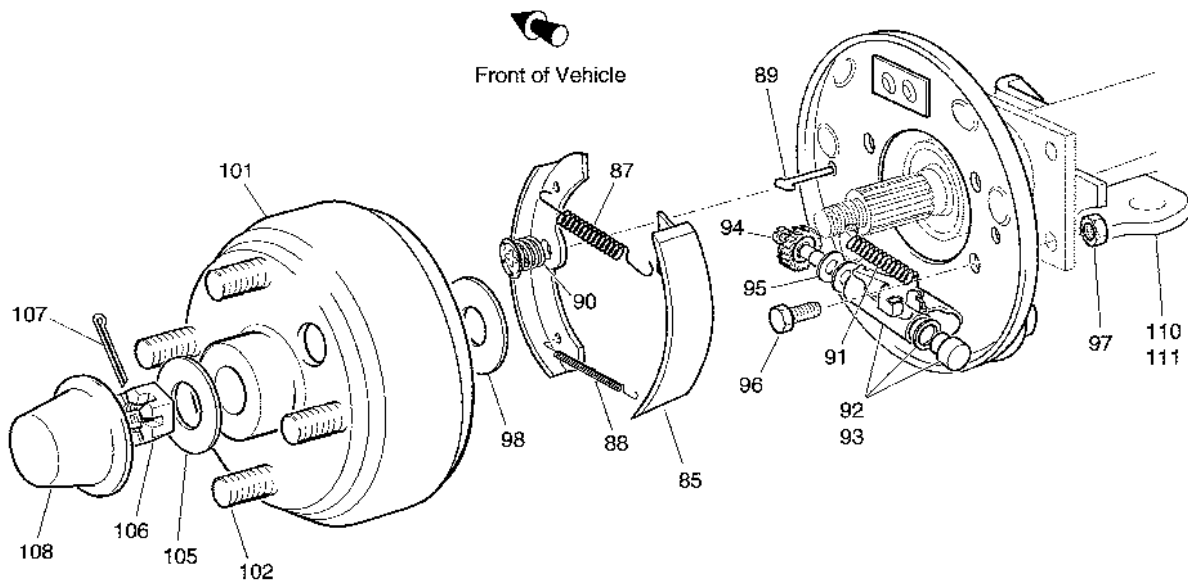




53 - Includes Items 54 - 79
 56 - Includes Items 57 - 59

**BRAKE PEDAL
 (VEHICLE WITH BRAKE LIGHTS)**

BRAKES



- 82 - Includes Items 84 - 92, 94, 95
- 83 - Includes Items 84 - 91, 93 - 95
- 84 - Includes Items 85
- 86 - Includes Items 87 - 91
- 92 - Includes Items 94, 95
- 93 - Includes Items 94, 95
- 100 - Includes Items 101, 102

Where applicable, THE USE OF NON UL PARTS WILL VOID ANY UL LISTING.
 When ordering parts, please specify the model and serial number of the product.
 * Indicates a component that is not available as an individual part.
 G** Indicates consult Customer Service Department for additional information.

ITEM	PART NO.	1	2	3	4	5	DESCRIPTION	QTY.
1	70612-G01						BRAKE PEDAL ASSEMBLY (WITHOUT BRAKE LIGHTS) (INCLUDES ITEMS 2 - 10).....	1
2	70681-G01						TORSION SPRING.....	2
3	70682-G01						PIVOT PIN.....	1
4	01071-G01						PUSHNUT, 5/16".....	2
5	*						BRAKE PEDAL.....	1
6	70611-G01						PARK BRAKE PEDAL.....	1
7	70274-G01						BRAKE/PARK BRAKE PEDAL PAD KIT (INCLUDES ITEMS 8 - 10).....	1
8	*						SERVICE BRAKE PAD.....	1
9	*						PARK BRAKE PEDAL PAD.....	1
10	15766-G1						OVAL RIVET, 3/16" X 7/16" LG.....	9
11								
12	70582-G01						SHOULDER BOLT, 3/8 - 16 X 4" LG (STAINLESS STEEL).....	1
13	70581-G01						FLANGED BUSHING.....	2
14	70676-G01						TORSION SPRING.....	1
15	00643-G1						WASHER, 3/8".....	1
16	11098-G5						LOCK NUT, 3/8 - 16.....	1
17								
18	70272-G04						COMPENSATOR ASSEMBLY (INCLUDES ITEMS 19, 20).....	1
19	00963-G01						SPHERICAL NUT, 5/16 - 24.....	1
20	11098-G9						LOCK NUT, 5/16 - 24.....	1
21								
22	70969-G03						EQUALIZER AND BRAKE CABLE ASSEMBLY (INCLUDES ITEMS 23 - 26)....	1
23	28082-G01						EQUALIZER BRACKET.....	1
24	28083-G01						BRAKE COMPENSATOR BUMPER.....	2
25	*						BRAKE CABLE (DRIVER SIDE).....	1
26	*						BRAKE CABLE (PASSENGER SIDE).....	1
27								
28	01111-G01						RETAINING RING, 4/5" (STAINLESS STEEL).....	4
29								

BRAKES

Where applicable, THE USE OF NON UL PARTS WILL VOID ANY UL LISTING.

When ordering parts, please specify the model and serial number of the product.

* Indicates a component that is not available as an individual part.

G** Indicates consult Customer Service Department for additional information.

ITEM	PART NO.	1 2 3 4 5	DESCRIPTION	QTY.
30	10386-G3		CLEVIS PIN, 5/16" X 13/16" LG.....	1
31	10387-G3		COTTER PIN, 3/32" X 3/4" LG.....	3
32	14443-G2		CLEVIS PIN, 5/16" X 5/8" LG.....	2
33				
34	70601-G01		KICK-OFF LINK.....	1
35	17838-G1		NYLON BUSHING.....	2
36	20835-G1		TEFLON WASHER, 3/8".....	2
37	00559-G8		WASHER, 5/16".....	2
38	10387-G3		COTTER PIN, 3/32" X 3/4" LG.....	2
39	70098-G01		KICK-OFF CAM PIVOT.....	1
40	10097-G6		FLANGED BEARING.....	2
41	70587-G01		KICK-OFF CAM.....	1
42	71215-G01		SETSCREW, 1/4 - 20 X 1/2" LG.....	2
43	14134-G4		SPACER.....	1
44				
45	70113-G01		ADJUSTABLE BUMPER.....	1
46	11027-G1		LOCK NUT, 5/16 - 18.....	1
47				
48	70080-G01		CATCH BRACKET.....	1
49	00414-G6		BOLT, 1/4 - 20 X 3/4" LG.....	2
50	00654-G2		LOCK NUT, 1/4 - 20 (STAINLESS STEEL).....	2
51				
52				
53	70690-G01		BRAKE PEDAL ASSEMBLY (WITH BRAKE LIGHTS) (INCLUDES ITEMS 54 - 79).....	1
54	*		BRAKE PEDAL.....	1
55	70611-G01		PARK BRAKE PEDAL.....	1
56	70274-G01		BRAKE/PARK BRAKE PEDAL PAD KIT (INCLUDES ITEMS 57 - 59).....	1
57	*		SERVICE BRAKE PAD.....	1
58	*		PARK BRAKE PAD.....	1

Where applicable, THE USE OF NON UL PARTS WILL VOID ANY UL LISTING.

When ordering parts, please specify the model and serial number of the product.

* Indicates a component that is not available as an individual part.

G** Indicates consult Customer Service Department for additional information.

ITEM	PART NO.	1	2	3	4	5	DESCRIPTION	QTY.
59	15766-G1						OVAL RIVET, 3/16" x 7/16" LG.....	9
60								
61	70258-G02						BRAKE PEDAL PLATE.....	1
62	70682-G01						PIVOT PIN.....	1
63	70681-G01						TORSION SPRING.....	2
64	12064-G1						PUSHNUT, 5/16".....	1
65	00737-G8						SCREW, #10 - 24 X 7/8" LG.....	4
66	00739-G1						RUBBER NUT, #10 - 24.....	2
67	22362-G3						BRAKE PEDAL STANDOFF.....	2
68	27137-G01						CONICAL SPRING.....	2
69	11098-G7						LOCK NUT, #10 - 24.....	2
70	10606-G8						MICRO SWITCH.....	1
71	00957-G1						BOLT, #6 - 32 X 1 1/4" LG.....	2
72	00559-G5						WASHER, #10.....	2
73	00559-G3						WASHER, #6.....	4
74	00565-G3						LOCK WASHER, #6.....	2
75	00525-G5						NUT, #6 - 32.....	2
76	13514-G1						SCREW AND LOCK WASHER, #6 - 32 X 1/4" (BRASS).....	2
77	14628-G1						PUSH ON MALE TERMINAL.....	2
78	24605-G1						WIRE HARNESS (BRAKE LIGHT).....	1
79	17618-G1						WIRE TIE.....	3
80								
81								
82	70998-G01						BRAKE ASSEMBLY (DRIVER SIDE) (INCLUDES ITEMS 84 - 92, 94, 95).....	1
83	70998-G02						BRAKE ASSEMBLY (PASSENGER SIDE) (INCLUDES ITEMS 84 - 91, 93 - 95).....	1
84	70794-G01						BRAKE SHOE KIT (INCLUDES ITEM 85).....	2
85	*						BRAKE SHOE.....	2
86	27944-G01						BRAKE SPRING KIT (INCLUDES ITEMS 87 - 91).....	2
87	*						UPPER SPRING.....	1

BRAKES

Where applicable, THE USE OF NON UL PARTS WILL VOID ANY UL LISTING.
 When ordering parts, please specify the model and serial number of the product.
 * Indicates a component that is not available as an individual part.
 G** Indicates consult Customer Service Department for additional information.

ITEM	PART NO.	1	2	3	4	5	DESCRIPTION	QTY.
88	*						LOWER SPRING	1
89	*						PIN	2
90	*						CUP AND SPRING	2
91	*						ADJUSTER SPRING	1
92	72582-G01						BRAKE ADJUSTER KIT (DRIVER SIDE) (INCLUDES ITEMS 94, 95)	1
93	72582-G02						BRAKE ADJUSTER KIT (PASSENGER SIDE) (INCLUDES ITEMS 94, 95)	1
94	*						ADJUSTER	1
95	*						TEFLON WASHER.....	2
96	17083-G2						BOLT, 5/16 - 24 X 1" LG	8
97	15126-G1						LOCK NUT, 5/16 - 24	8
98	15485-G1						WASHER, 13/16"	2
99								
100	19186-G1						BRAKE DRUM ASSEMBLY (INCLUDES ITEMS 101 - 102).....	2
101	*						BRAKE DRUM	1
102	19862-G1						LUG BOLT, 1/2 - 20 X 1 3/16" LG	4
103								
104								
105	15487-G1						WASHER, 1 3/8" O.D. X 21/32"	2
106	15483-G1						CASTELLATED NUT, 5/8 - 18.....	2
107	10387-G1						COTTER PIN, 1/8" X 1 1/2" LG.....	2
108	74175-G01						SPINDLE CAP.....	2
109								
110	72036-G01						BRAKE CABLE BRACKET (PASSENGER SIDE).....	1
111	72036-G02						BRAKE CABLE BRACKET (DRIVER SIDE)	1