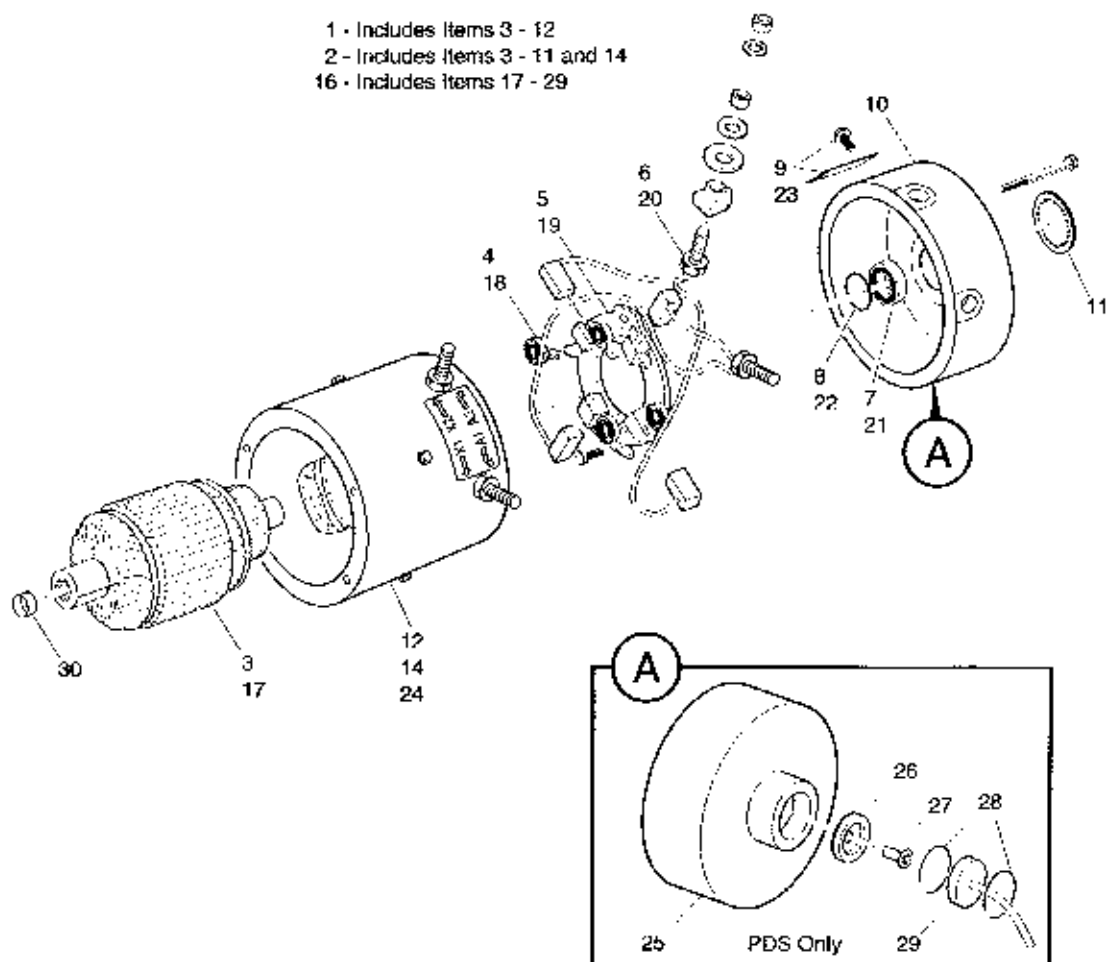


MOTOR

- 1 - Includes Items 3 - 12
- 2 - Includes Items 3 - 11 and 14
- 16 - Includes Items 17 - 29



Ref. M11-1

MOTOR

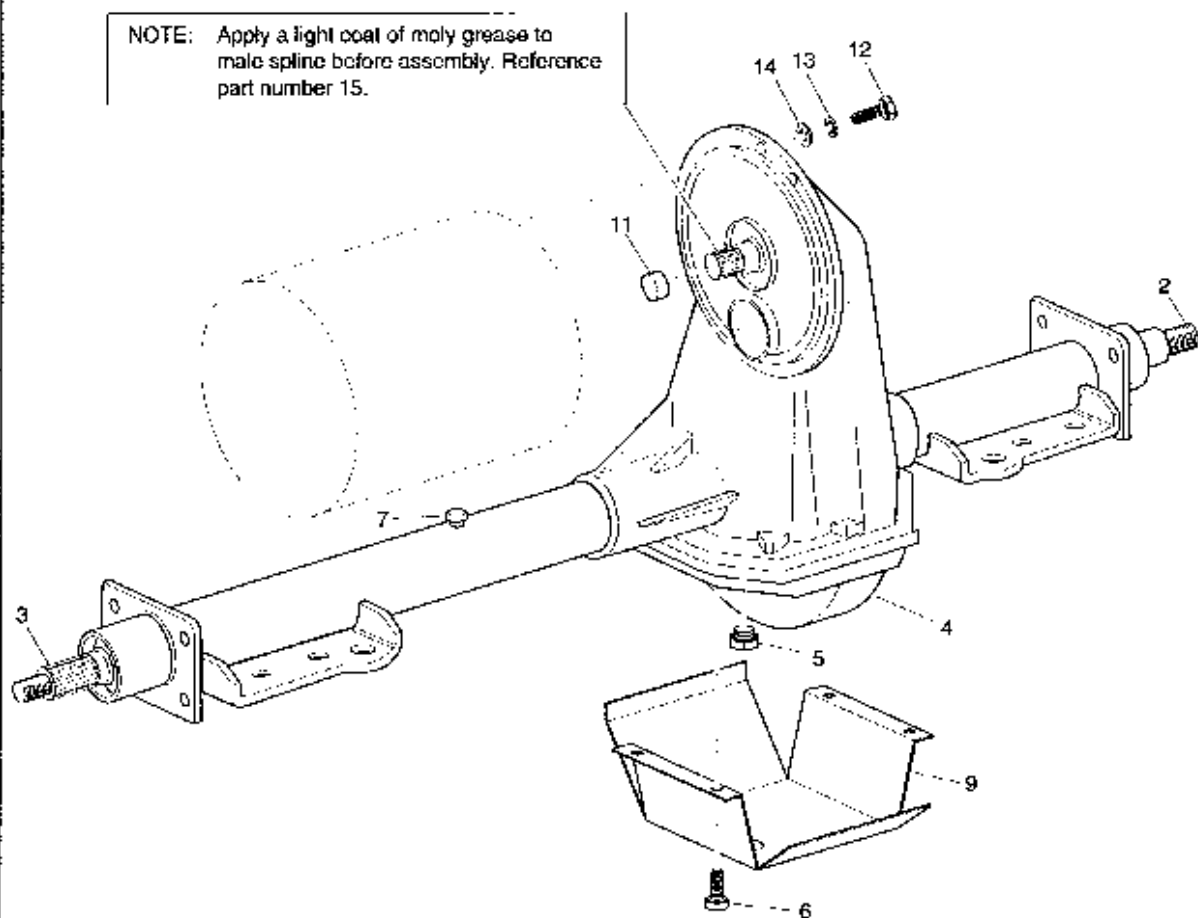
Where applicable, THE USE OF NON UL PARTS WILL VOID ANY UL LISTING.
 When ordering parts, please specify the model and serial number of the product.
 * Indicates a component that is not available as an individual part.
 G** Indicates consult Customer Service Department for additional information.

ITEM	PART NO.	1	2	3	4	5	DESCRIPTION	QTY.
1	73124-G02	MOTOR (SERIES, FLEET SPEED) (INCLUDES ITEMS 3 - 12)					1	
2	73124-G03	MOTOR (SERIES, HIGH SPEED) (INCLUDES ITEMS 3 - 11, 14)					1	
3	73120-G01	ARMATURE					1	
4	73120-G03	BRUSH SPRING					4	
5	73120-G15	BRUSH PLATE AND BOX					1	
6	73120-G25	BRUSH REPLACEMENT KIT (INCLUDES HARDWARE)					1	
7	73120-G07	BEARING					1	
8	73120-G06	SNAP RING					1	
9	73120-G09	COVER PLATE AND SCREW					1	
10	73120-G08	COMMUTATOR END HOUSING					1	
11	73120-G16	CAP					1	
12	73120-G29	FRAME AND FIELD COIL (G02 MOTOR) (INCLUDES HARDWARE)					1	
13								
14	73120-G30	FRAME AND FIELD COIL (G03 MOTOR) (INCLUDES HARDWARE)					1	
15								
16	73124-G08	MOTOR (SEPARATELY EXCITED) (PDS) (INCLUDES ITEMS 17 - 29)					1	
17	73120-G18	ARMATURE					1	
18	73120-G03	BRUSH SPRING					4	
19	73120-G15	BRUSH PLATE AND BOX					1	
20	73120-G25	BRUSH REPLACEMENT KIT (INCLUDES HARDWARE)					1	
21	73120-G07	BEARING					1	
22	73120-G06	SNAP RING					1	
23	73120-G09	COVER PLATE AND SCREW					1	
24	73120-G31	FRAME AND FIELD COIL (INCLUDES HARDWARE)					1	
25	73120-G19	COMMUTATOR END HOUSING					1	
26	73328-G01	MAGNET					1	
27	01037-G02	SCREW, #10 - 32 X 1/2" LG					1	
28	73277-G01	RETAINING RING					2	
29	73327-G01	SPEED SENSOR					1	
30	24261-G1	SPLINE BUMPER					1	

REAR AXLE

1 - Includes Items 2 - 7

NOTE: Apply a light coat of moly grease to male spline before assembly. Reference part number 15.



Where applicable, THE USE OF NON UL PARTS WILL VOID ANY UL LISTING.
 When ordering parts, please specify the model and serial number of the product.
 * Indicates a component that is not available as an individual part.
 G** Indicates consult Customer Service Department for additional information.

ITEM	PART NO.	1 2 3 4 5					DESCRIPTION	QTY.
1	73500-G01						REAR AXLE ASSEMBLY (INCLUDES ITEMS 2 - 7)	1
2	20377-G12						AXLE SHAFT (PASSENGER SIDE)	1
3	20377-G11						AXLE SHAFT (DRIVER SIDE)	1
4	*						DIFFERENTIAL COVER	1
5	28610-G01						FILL PLUG WITH 'O' RING	1
6	15558-G1						BOLI, 5/16 - 18 X 3/4" LG	10
7	73050-G01						VENT	1
8								
9	72763-G01						SCUFF GUARD	1
10								
11	XXXXX-XXX						SPLINE BUMPER (SEE ELECTRIC MOTOR)	1
12	00797-G2						BOLT, 1/4 - 20 X 1 1/4" LG	3
13	00664-G7						LOCK WASHER, 1/4" (STAINLESS STEEL)	3
14	01110-G01						WASHER, 1/4" (STAINLESS STEEL)	3
15	28095-G01						MOLY LUBE, 2 OZ.	AR