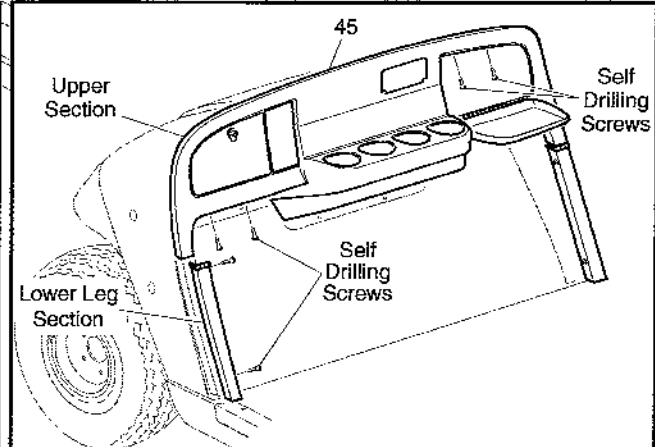
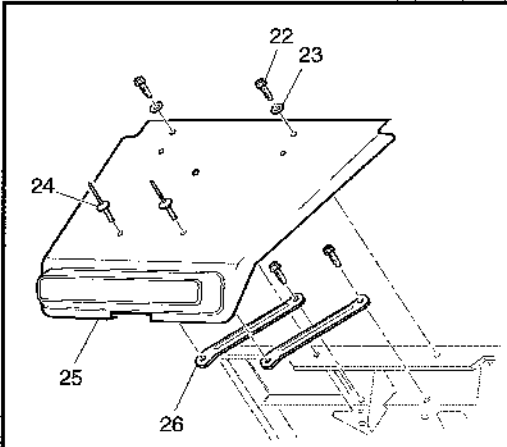
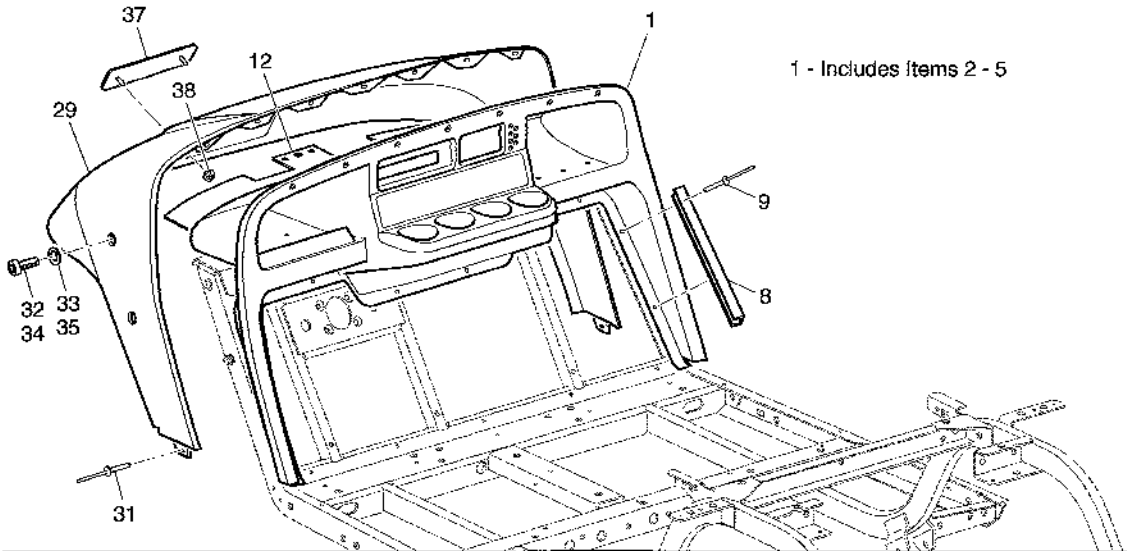
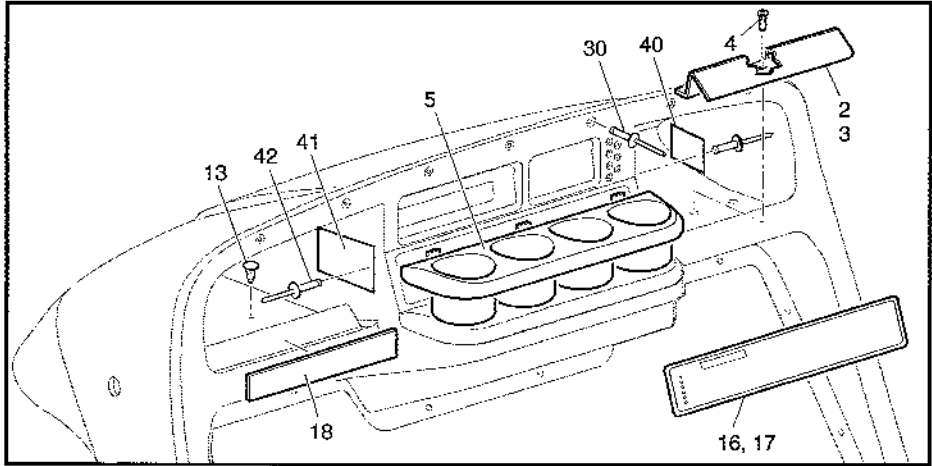


# BODY - FRONT



Ref Bod 1-1

Where applicable, THE USE OF NON UL PARTS WILL VOID ANY UL LISTING.  
 When ordering parts, please specify the model and serial number of the product.  
 \* Indicates a component that is not available as an individual part.  
 G\*\* Indicates consult Customer Service Department for additional information.

ITEM	PART NO.	1	2	3	4	5	DESCRIPTION	QTY.
1	71151-G01						INSTRUMENT PANEL ASSEMBLY (INCLUDES ITEMS 2 - 5) .....	1
2	71153-G01						BALL DEFLECTOR (PASSENGER SIDE).....	1
3	71154-G01						BALL DEFLECTOR (DRIVER SIDE) .....	1
4	00614-G5						SCREW, #8 - 18 X 5/8" LG .....	6
5	71158-G01						INSTRUMENT PANEL INSERT (4 CUP HOLDER).....	1
6								
7								
8	71115-G01						VINYL TRIM .....	2
9	71055-G01						RIVET, 3/16" X 1" LG (ALUMINUM).....	10
10								
11								
12	71413-G01						SPLASH PANEL.....	1
13	16816-G2						RIVET, 1/4" X 3/4" LG .....	5
14								
15								
16	27647-G01						LABEL (SAFETY).....	1
17	35345-G01						LABEL (SAFETY - EC).....	1
18	74443-G01						LABEL (ANTI-ROLLBACK) .....	1
19								
20								
21								
22	01038-G01						BOLT, 1/4 - 20 X 11/16" LG .....	4
23	16469-G1						WASHER, 1/4" .....	2
24	01057-G01						RIVET, 1/4" X 1" LG .....	2
25	27166-G02						FRONT SHIELD .....	1
26	70725-G01						FRONT SHIELD BRACE.....	2
27								
28								
29	71051-G**						COWL.....	1
30	71055-G01						RIVET, 3/16" X 1" LG (ALUMINUM).....	9

# BODY - FRONT

Where applicable, THE USE OF NON UL PARTS WILL VOID ANY UL LISTING.

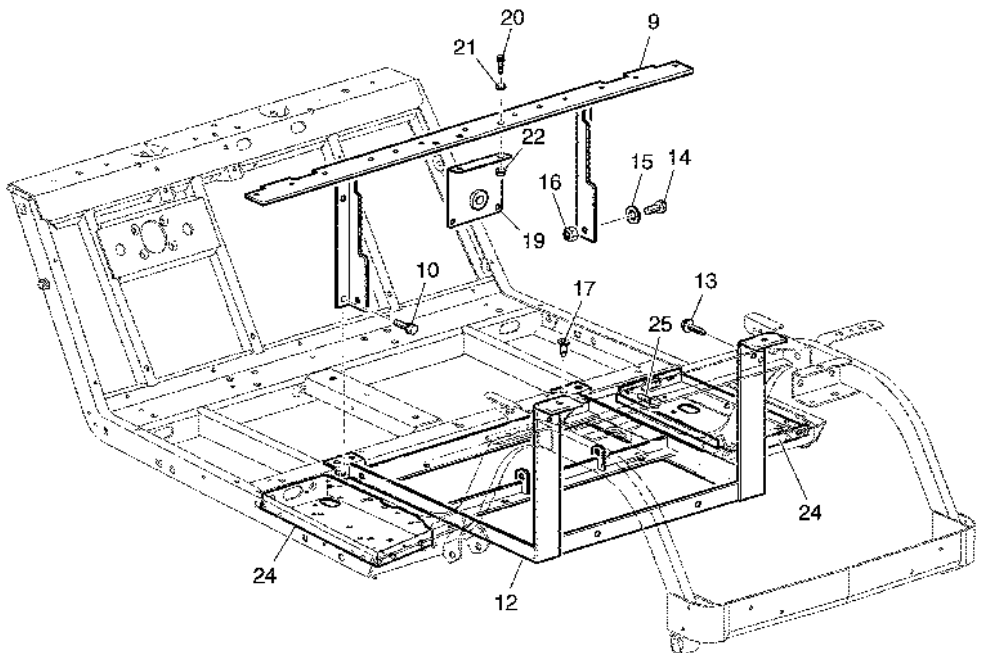
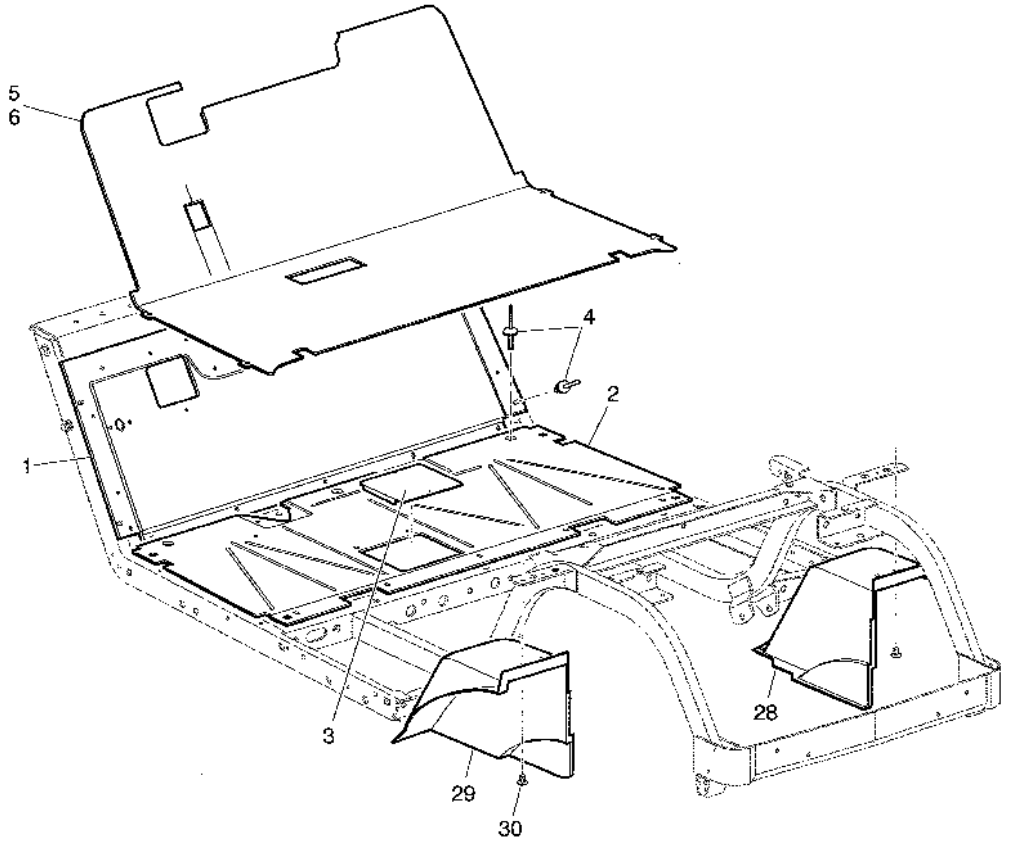
When ordering parts, please specify the model and serial number of the product.

\* Indicates a component that is not available as an individual part.

G\*\* Indicates consult Customer Service Department for additional information.

ITEM	PART NO.	1	2	3	4	5	DESCRIPTION	QTY.
31	10570-G11						RIVET, 3/16" X 3/4" LG (STAINLESS STEEL) .....	2
32	71056-G01						BOLT, 5/16 - 18 X 5/8" LG .....	4
33	00570-G2						WASHER, 5/16 .....	4
34	00438-G6						BOLT, 5/16 - 18 X 3/4" LG (WITH TOP) .....	2
35	01110-G03						WASHER, 5/16" (STAINLESS STEEL) (WITH TOP) .....	2
36								
37	71037-G02						E-Z-GO NAMEPLATE (GOLD).....	1
38	71597-G01						NUT, SELF-THREADING, 5MM STUD x 10MM HEX .....	2
39								
40	*						SERIAL NUMBER PLATE (EARLY PRODUCTION).....	1
41	*						EC PLATE (EARLY PRODUCTION) .....	1
42	01041-G01						RIVET, 1/8" X 13/16" LG .....	4
43								
44								
45	74239-G01						INSTRUMENT PANEL WOODGRAIN APPLIQUE KIT.....	1

# BODY - MID SECTION



Ref. Bud 1-2

# BODY - MID SECTION

Where applicable, THE USE OF NON UL PARTS WILL VOID ANY UL LISTING.

When ordering parts, please specify the model and serial number of the product.

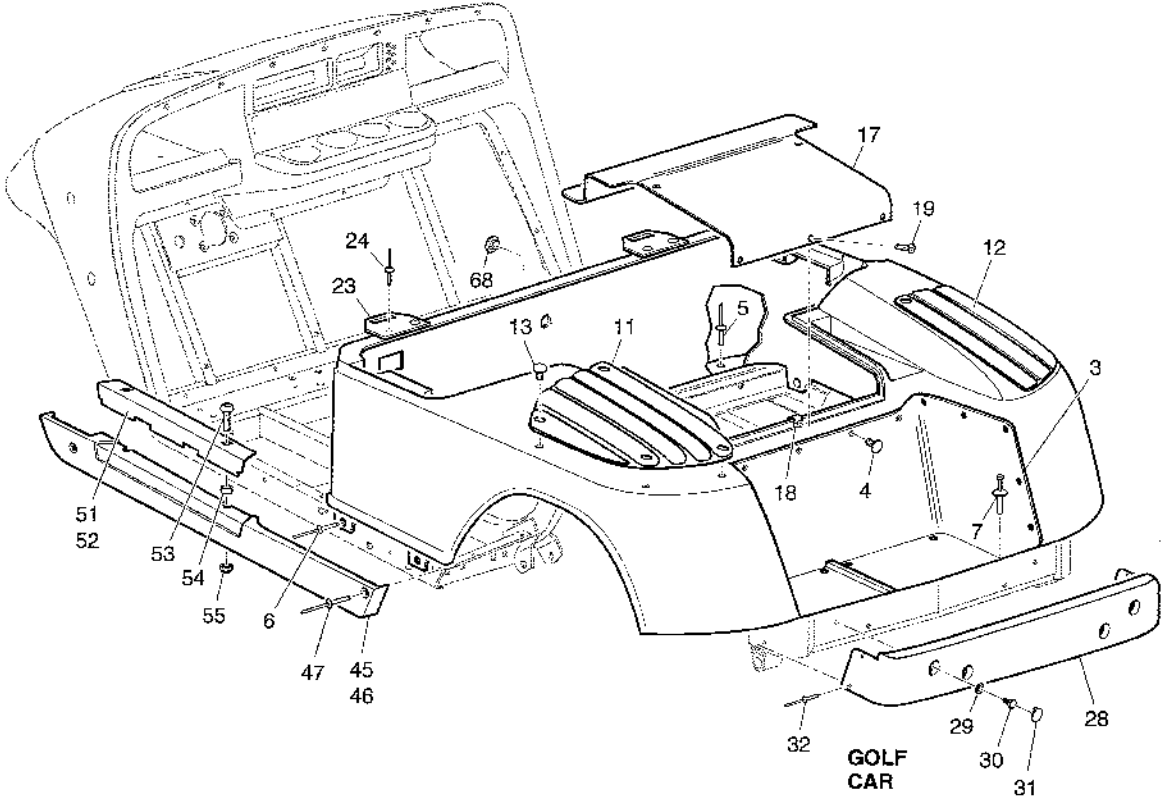
\* Indicates a component that is not available as an individual part.

G\*\* Indicates consult Customer Service Department for additional information.

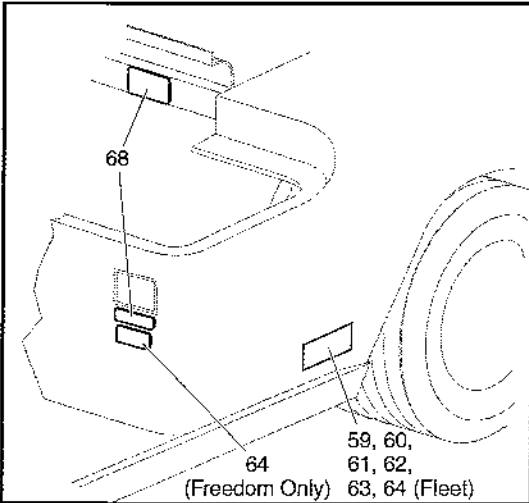
ITEM	PART NO.	1	2	3	4	5	DESCRIPTION	QTY.
1	70662-G01						UPPER FLOORPAN.....	1
2	70451-G01						LOWER FLOORPAN.....	1
3	70452-G01						ACCESS COVER.....	1
4	14601-G11						RIVET, 3/16" X 9/16" LG (ALUMINUM).....	16
5	70995-G01						FLOORMAT.....	1
6	70995-G02						FLOORMAT WITH HORN HOLES.....	1
7								
8								
9	70441-G01						SEAT FRAME.....	1
10	00715-G2						BOLT, 5/16 - 18 X 13/16" LG.....	2
11								
12	70046-G01						BATTERY RACK.....	1
13	00715-G2						BOLT, 5/16 - 18 X 13/16" LG.....	2
14	00438-G6						BOLT, 5/16 - 18 X 3/4" LG.....	2
15	00559-G8						WASHER, 5/16".....	2
16	01109-G01						LOCK NUT, 5/16 - 18 (STAINLESS STEEL).....	2
17	70200-G01						SCREW, 3/8 - 16 X 3/4" LG.....	2
18								
19	70444-G01						BRACKET.....	1
20	28272-G01						BOLT, 1/4 - 20 X 5/8" LG.....	2
21	01110-G01						WASHER, 1/4" (STAINLESS STEEL).....	2
22	11027-G2						LOCK NUT, 1/4 - 20.....	2
23								
24	70244-G02						SPLASH PANEL.....	2
25	00715-G2						BOLT, 5/16 - 18 X 13/16" LG.....	8
26								
27								
28	71812-G01						FENDER LINER (PASSENGER SIDE).....	1
29	71812-G02						FENDER LINER (DRIVER SIDE).....	1
30	16816-G2						RIVET, 1/4" X 3/4" LG.....	8

# BODY - REAR

- 1 - Includes Items 3, 4
- 2 - Includes Items 3, 4

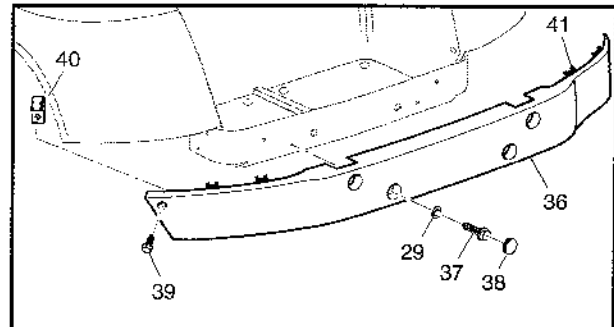


## LABELS



Ref Bod 1-3

## SHUTTLE 2+2 AND CONVERTIBLE CARRIER



## BODY - REAR

Where applicable, THE USE OF NON UL PARTS WILL VOID ANY UL LISTING.

When ordering parts, please specify the model and serial number of the product.

\* Indicates a component that is not available as an individual part.

G\*\* Indicates consult Customer Service Department for additional information.

ITEM	PART NO.	1	2	3	4	5	DESCRIPTION	QTY.
1	71912-G0**						REAR BODY (WITHOUT TAILLIGHTS) (INCLUDES ITEMS 3, 4) .....	1
2	71334-G0**						REAR BODY (WITH TAILLIGHTS) (INCLUDES ITEMS 3, 4).....	1
3	71318-G01						BAGWELL LINER .....	1
4	16816-G1						RATCHET FASTENER, 1/4" X 9/16" LG .....	26
5	10570-G10						RIVET, 5/32" X 9/16" LG (STAINLESS STEEL) .....	6
6	10570-G12						RIVET, 1/4" X 9/16" LG (ALUMINUM).....	4
7	18436-G1						RIVET, 1/4" X 3/4" LG .....	2
8								
9								
10								
11	75126-G01						FENDER SCUFFGUARD (DRIVER SIDE) .....	1
12	75126-G02						FENDER SCUFFGUARD (PASSENGER SIDE).....	1
13	16816-G2						RIVET, 1/4" X 3/4" LG .....	8
14								
15								
16								
17	71320-G01						ACCESS PANEL .....	1
18	71364-G02						'J' CLIP .....	1
19	01107-G01						SCREW, #8 X 5/8" LG (STAINLESS STEEL) .....	5
20								
21								
22								
23	71609-G01						SEAT HINGE PLATE .....	2
24	10570-G11						RIVET, 3/16" X 3/4" LG (STAINLESS STEEL) .....	4
25								
26								
27								
28	71578-G01						REAR BUMPER .....	1
29	00571-G2						WASHER, 5/16" .....	4
30	71102-G01						BOLT, 1/4 - 20 X 3/4" LG .....	4

# BODY - REAR

Where applicable, THE USE OF NON UL PARTS WILL VOID ANY UL LISTING.

When ordering parts, please specify the model and serial number of the product.

\* Indicates a component that is not available as an individual part.

G\*\* Indicates consult Customer Service Department for additional information.

ITEM	PART NO.	1	2	3	4	5	DESCRIPTION	QTY.
31	71514-G01						BUMPER PLUG .....	4
32	14601-G17						RIVET, 3/16" X 9/16" LG (ALUMINUM).....	4
33								
34								
35								
36	71456-G01						REAR BUMPER (SHUTTLE 2+2).....	1
37	71398-G01						BOLT, 1/4 - 20 X 1 1/4" LG.....	2
38	71455-G01						BUMPER PLUG .....	4
39	71102-G01						BOLT, 1/4 - 20 X 3/4" LG .....	2
40	71554-G01						'J' TYPE NUT RETAINER.....	2
41	71457-G01						BUMPER STAY .....	4
42								
43								
44								
45	71501-G01						ROCKER PANEL (PASSENGER SIDE).....	1
46	71502-G01						ROCKER PANEL (DRIVER SIDE).....	1
47	15058-G6						RIVET, 3/16" X 15/16" LG (ALUMINUM).....	4
48								
49								
50								
51	71507-G01						SILL PLATE (PASSENGER SIDE).....	1
52	71507-G02						SILL PLATE (DRIVER SIDE).....	1
53	16705-G1						SCREW, 1/4 - 20 X 1" LG (STAINLESS STEEL).....	4
54	23726-G4						SPACER, 5/16".....	4
55	00654-G2						LOCK NUT, 1/4 - 20 (STAINLESS STEEL).....	4
56								
57								
58								
59	75960-G01						LABEL (FREEDOM).....	2
60	75962-G01						LABEL (FREEDOM SE).....	2

Where applicable, THE USE OF NON UL PARTS WILL VOID ANY UL LISTING.  
 When ordering parts, please specify the model and serial number of the product.  
 \* Indicates a component that is not available as an individual part.  
 G\*\* Indicates consult Customer Service Department for additional information.

ITEM	PART NO.	1	2	3	4	5	DESCRIPTION	QTY.
61	75964-G01						LABEL (FREEDOM LE) .....	2
62	35434-G01						LABEL (SHUTTLE) .....	2
63	35430-G19						LABEL (TXT 2+2).....	2
64	73330-G01						LABEL (PRECISION DRIVE SYSTEM™).....	AR
65								
66								
67								
68	*						LABEL (SERIAL NUMBER) .....	1
69								
70								
71								
72	71316-G01						HOLE PLUG (DASH MOUNTED DIRECTION SELECTOR SWITCH ONLY) ....	1