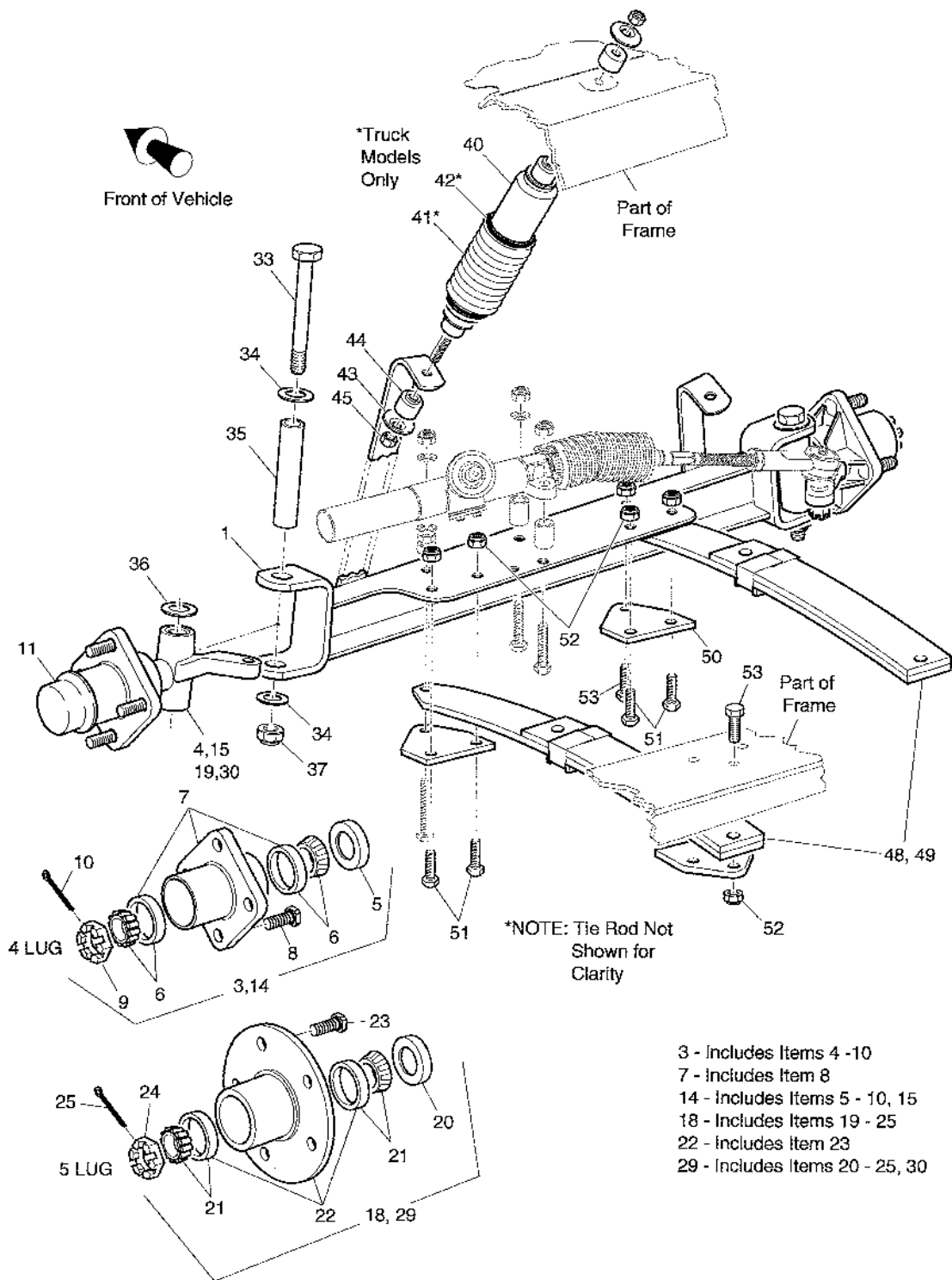
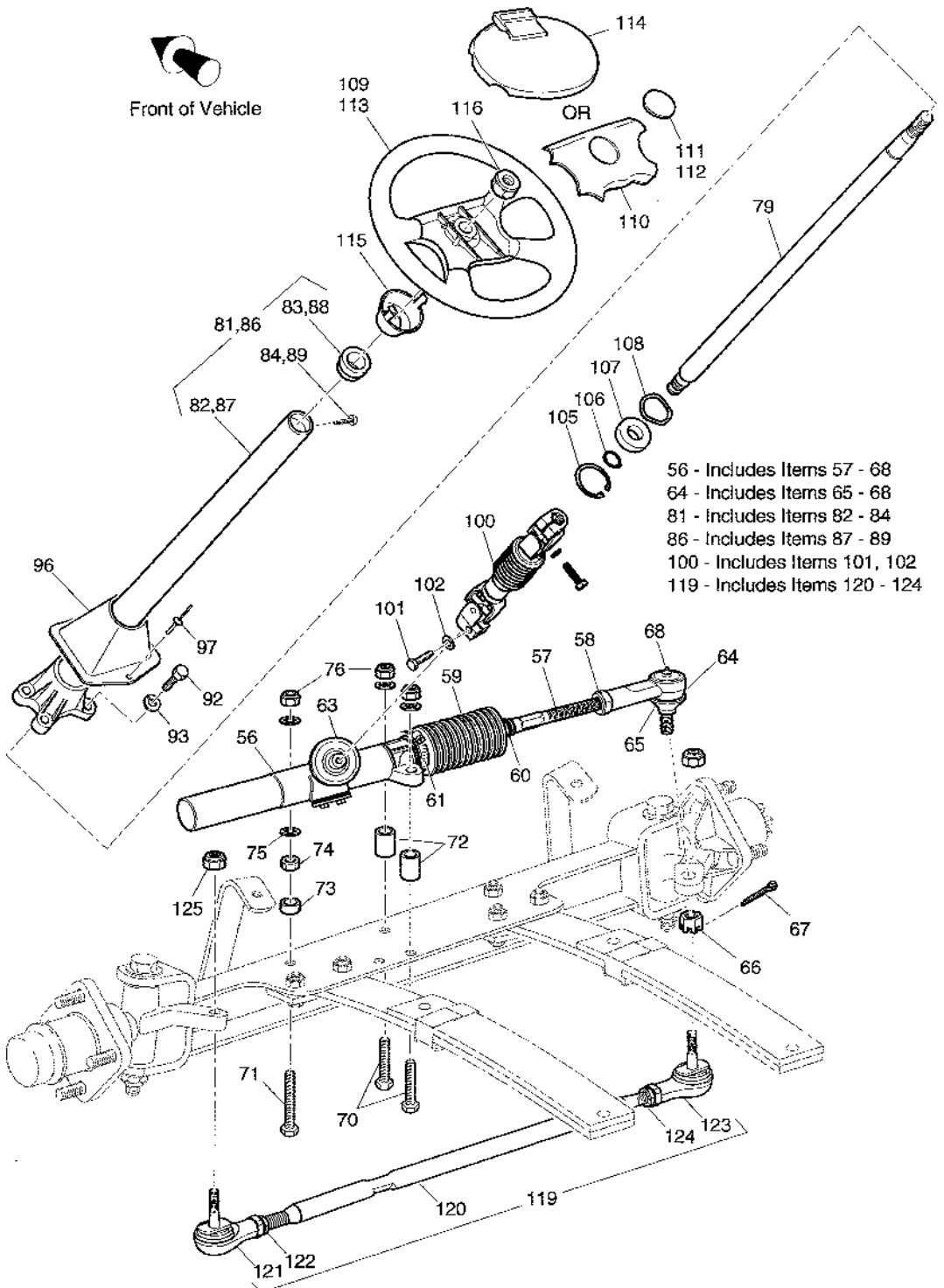


FRONT SUSPENSION/STEERING



Ref Fas 1-1

FRONT SUSPENSION/STEERING



FRONT SUSPENSION/STEERING

Where applicable, THE USE OF NON UL PARTS WILL VOID ANY UL LISTING.
 When ordering parts, please specify the model and serial number of the product.
 * Indicates a component that is not available as an individual part.
 G** Indicates consult Customer Service Department for additional information.

ITEM	PART NO.	1	2	3	4	5	DESCRIPTION	QTY.	
1	70963-G01	FRONT AXLE.....							1
2									
3	70942-G01	SPINDLE AND HUB ASSEMBLY, 4 LUG (PASSENGER SIDE) (INCLUDES ITEMS 4 - 10).....							1
4	70942-G02	SPINDLE ASSEMBLY (PASSENGER SIDE).....							1
5	25146-G1	GREASE SEAL.....							1
6	50892-G1	ROLLER BEARING AND RACE ASSEMBLY.....							2
7	70895-G01	WHEEL HUB ASSEMBLY WITH RACES, 4 LUG (INCLUDES ITEM 8).....							1
8	19862-G1	LUG BOLT, 1/2 - 20 X 1 3/16" LG.....							4
9	12093-G1	CASTELLATED NUT, 1 - 14.....							1
10	00798-G8	COTTER PIN, 5/32" X 1 3/4" LG.....							1
11	12091-G2	SPINDLE CAP.....							2
12									
13									
14	70673-G01	SPINDLE AND HUB ASSEMBLY, 4 LUG (DRIVER SIDE) (INCLUDES ITEMS 5 - 10, 15).....							1
15	70673-G02	SPINDLE ASSEMBLY (DRIVER SIDE).....							1
16									
17									
18	70943-G01	SPINDLE AND HUB ASSEMBLY, 5 LUG (PASSENGER SIDE) (INCLUDES ITEMS 19 - 25).....							1
19	70942-G02	SPINDLE ASSEMBLY (PASSENGER SIDE).....							1
20	12092-G1	GREASE SEAL.....							1
21	50892-G1	ROLLER BEARING AND RACE ASSEMBLY.....							2
22	70772-G01	WHEEL HUB ASSEMBLY WITH RACES, 5 LUG (INCLUDES ITEM 23).....							1
23	30143-G1	LUG BOLT, 1/2 - 20 X 1 7/32" LG.....							5
24	12093-G1	CASTELLATED NUT, 1 - 14.....							1
25	00798-G8	COTTER PIN, 5/32" X 1 3/4" LG.....							1
26									
27									
28									

FRONT SUSPENSION/STEERING

Where applicable, THE USE OF NON UL PARTS WILL VOID ANY UL LISTING.

When ordering parts, please specify the model and serial number of the product.

* Indicates a component that is not available as an individual part.

G** Indicates consult Customer Service Department for additional information.

ITEM	PART NO.	1	2	3	4	5	DESCRIPTION	QTY.
29	70797-G01						SPINDLE AND HUB ASSEMBLY, 5 LUG (DRIVER SIDE) (INCLUDES ITEMS 20 - 25, 30).....	1
30	70673-G02						SPINDLE ASSEMBLY (DRIVER SIDE).....	1
31								
32								
33	00407-G6						BOLT, 1/2 - 13 X 6" LG.....	2
34	00560-G3						WASHER, 1/2".....	4
35	70745-G01						KING PIN TUBE.....	2
36	70754-G01						THRUST WASHER, 1" (STAINLESS STEEL).....	2
37	14390-G6						LOCK NUT, 1/2 - 13.....	2
38								
39								
40	70928-G01						SHOCK ABSORBER.....	2
41	70509-G01						SHOCK ABSORBER BOOT.....	2
42	31539-G1						WIRE TIE.....	4
43	10435-G1						SHOCK ABSORBER WASHER.....	8
44	10194-G1						RUBBER BUSHING.....	8
45	00532-G6						NUT, 3/8 - 24.....	4
46								
47								
48	70990-G02						LEAF SPRING (SEE PART NUMBER ON SPRING).....	2
49	70989-G02						LEAF SPRING (HEAVY DUTY) (SEE PART NUMBER ON SPRING).....	2
50	70163-G02						SPRING PLATE.....	4
51	00463-G4						BOLT, 7/16 - 14 X 1 1/2" LG.....	4
52	00734-G1						LOCK NUT, 7/16 - 14.....	11
53	00463-G6						BOLT, 7/16 - 14 X 1 3/4" LG.....	7
54								
55								
56	70964-G01						RACK AND PINION UNIT (COMPLETE) (INCLUDES ITEMS 57 - 68).....	1
57	70694-G01						RACK EXTENSION.....	1

FRONT SUSPENSION/STEERING

Where applicable, THE USE OF NON UL PARTS WILL VOID ANY UL LISTING.

When ordering parts, please specify the model and serial number of the product.

* Indicates a component that is not available as an individual part.

G** Indicates consult Customer Service Department for additional information.

ITEM	PART NO.	1	2	3	4	5	DESCRIPTION	QTY.
58	*						JAM NUT, 1/2 - 20.....	1
59	70961-G01						RACK BOOT.....	1
60	12416-G2						WIRE TIE.....	1
61	11391-G8						CLAMP, 1 13/16 - 2 3/8".....	1
62								
63	70638-G01						PINION SEAL.....	1
64	70695-G01						RACK BALL JOINT (INCLUDES ITEMS 65 - 68).....	1
65	50641-G1						RUBBER BOOT.....	1
66	50209-G2						CASTELLATED NUT, 7/16 - 20.....	1
67	10387-G2						COTTER PIN, 3/32" X 1" LG.....	1
68	10389-G3						GREASE FITTING, STRAIGHT.....	1
69								
70	00464-G6						BOLT, 7/16 - 14 X 2 3/4" LG.....	2
71	01068-G01						BOLT, 7/16 - 14 X 3 1/2" LG.....	1
72	70667-G02						SPACER.....	2
73	70667-G03						SPACER (SHORT).....	1
74	00532-G7						NUT, 7/16 - 14.....	1
75	00560-G2						FLAT WASHER, 7/16".....	4
76	00734-G1						LOCK NUT, 7/16 - 14.....	3
77								
78								
79	70607-G01						STEERING SHAFT.....	1
80								
81	70758-G03						STEERING COLUMN KIT (INCLUDES ITEMS 82 - 84).....	1
82	70610-G01						STEERING COLUMN.....	1
83	28569-G01						STEERING COLUMN BUSHING.....	1
84	01022-G01						SCREW, #6 - 20 X 5/16" LG.....	1
85								
86	70758-G04						STEERING COLUMN KIT (HORN) (INCLUDES ITEMS 87 - 89).....	1
87	70610-G02						STEERING COLUMN.....	1

FRONT SUSPENSION/STEERING

Where applicable, THE USE OF NON UL PARTS WILL VOID ANY UL LISTING.

When ordering parts, please specify the model and serial number of the product.

* Indicates a component that is not available as an individual part.

G** Indicates consult Customer Service Department for additional information.

ITEM	PART NO.	1	2	3	4	5	DESCRIPTION	QTY.
88	28569-G01						STEERING COLUMN BUSHING.....	1
89	01022-G01						SCREW, #6 - 20 X 5/16" LG	1
90								
91								
92	01006-G01						BOLT, 3/8 - 16 X 1 1/4" LG	4
93	00879-G1						LOCK WASHER, 3/8"	4
94								
95								
96	70997-G01						COVER.....	1
97	71055-G01						RIVET, 3/16" X 1" LG (ALUMINUM).....	1
98								
99								
100	70580-G01						INTERMEDIATE SHAFT (INCLUDES ITEMS 101, 102).....	1
101	01055-G01						BOLT, M8 X 1.25 - 05.....	2
102	00565-G8						LOCK WASHER, 5/16"	2
103								
104								
105	70751-G01						RETAINING RING (INTERNAL)	1
106	70888-G01						RETAINING RING (EXTERNAL).....	1
107	15112-G1						BALL BEARING	1
108	70887-G01						WAVE WASHER.....	1
109	71146-G01						STEERING WHEEL	1
110	71147-G01						STEERING WHEEL COVER	1
111	71047-G01						LABEL (E-Z-GO)	1
112	74405-G01						LABEL (CUSHMAN).....	1
113	71948-G01						STEERING WHEEL	1
114	71950-G01						CLIPBOARD.....	1
115	71949-G01						HUB COVER	1
116	14390-G2						LOCK NUT, 5/8 - 18	1
117								

FRONT SUSPENSION/STEERING

Where applicable, THE USE OF NON UL PARTS WILL VOID ANY UL LISTING.
 When ordering parts, please specify the model and serial number of the product.
 * Indicates a component that is not available as an individual part.
 G** Indicates consult Customer Service Department for additional information.

ITEM	PART NO.	1	2	3	4	5	DESCRIPTION	QTY.
118								
119	70876-G02						TIE ROD ASSEMBLY (INCLUDES ITEMS 120 - 124).....	1
120	70897-G02						THREADED ROD (24" LG).....	1
121	70902-G01						TIE ROD END (LEFT HAND THREADS).....	1
122	01069-G01						JAM NUT, M12 X 1.25 - 05 (LEFT HAND THREADS).....	1
123	70902-G02						TIE ROD END (RIGHT HAND THREADS).....	1
124	01069-G02						JAM NUT, M12 X 1.25 - 05 (RIGHT HAND THREADS).....	1
125	00734-G1						LOCK NUT, 7/16 - 14.....	2